



VELASOLIS

Shade Sail System



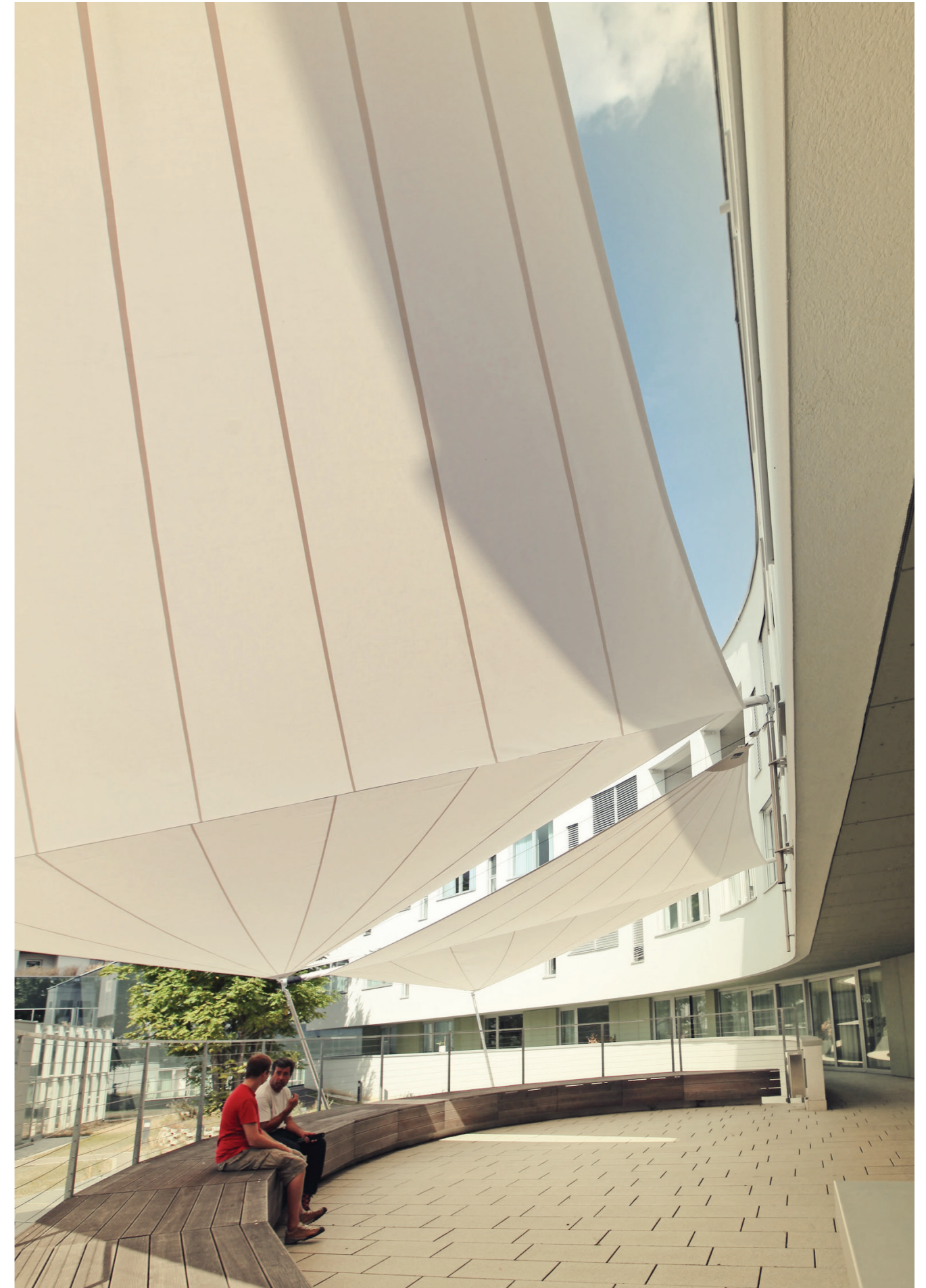
VELASOLIS

Functional and Beauty
This is the design of Shades.



The new Idea. The new product.

In 1993, Gerald Wurz and Norbert Kautzky, they establish The SunSquare invents the SunSail. Drive and shaft, control system, supports and fastenings, the triangular sail. Maximum functionality. Timeless aesthetics. Continuous development. Wall and Ground fastenings. With or without foundations. Triangular and. Rectangular sail. 6.000 projects Worldwide. Every one different. Every one unique. Every one the first!



Make plans. Reflect. The significance of details. The physics of beauty.

New Materials. New Design. New Solutions.

SunSquare thinks ahead, continually reinventing the classic. Aluminum supports. Unbending, lighter than steel. The compensator. Fewer cables, clear lines. The radial sail. Polymer-coated. Ideal protection from sun and rain.



Innovation and Timelessness. New Technology - New BenchmarksSet Sail for the future.

Where others are at a loss

Our customers wanted that. The border to industrial engineering was recognized. And transcended by SunSquare®.



Professionalism obligates. Complex structures are wanted. Sunsquare® is found.

The garden becomes a living room.
Your own limits become the horizon.
The daily grind becomes a vacation.

Summer. Expanding the living room. Bringing private lives outside. The sail becomes the roof. SunSquare® blurs the border between house and garden. Opens up new living spaces. Lets summer breathe and protects against the sun and rain.



Under the open sky. Extend your Home space - BUT STILL PROTECTED

With reduction to the essential

SunSquare® lets the sun sail float. And lets the wave crash freely. New perspectives and promises.



Transcending limits. Touching the horizon. Experiencing freedom.

Daytime Shade. Light at Night.

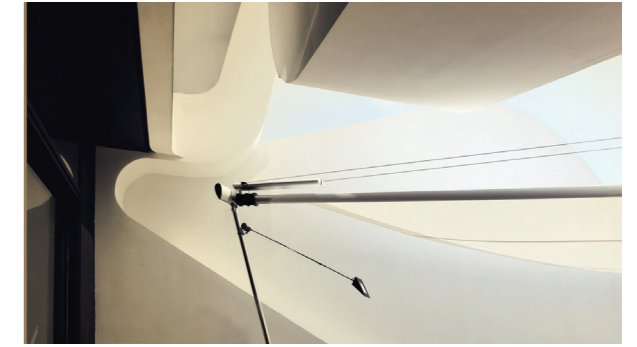
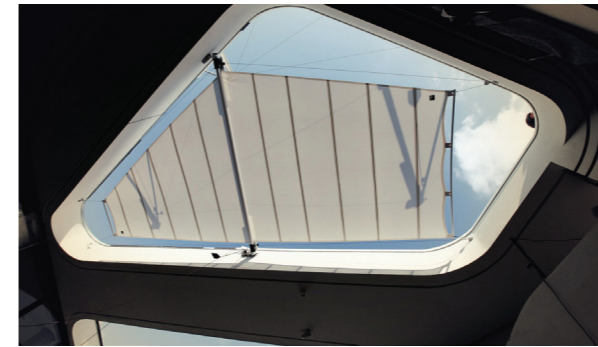
The nighttime. The Sun Sail become a Light Sail. Lighting system create new spaces. An illuminated island under the stars. Clouds obscure the moon. The first drops. Protected under the sail. The party is still going.



After Sunset in the shadows of evening. The Sail in The lights.

The new Idea. The new product.

Every space is different. A rectangular plot. Maybe long and narrow as well. Different requirements, different sail, different construction: the rectangular sail. Shades new spaces. Single - sided extension up to 35m². Double - sided up to 70m².



The innovation. The rectangular sail. Open new spaces.

The Sun Sail. Unmistakeably The Original.

SunSquare® follows along.

While planning for the construction in cooperation with the architects, or later incorporating customer experience.



The guest under the Sail.

HARMONIC INTEGRATION. EVEN IN A LANDMARKED AREA. Hotels. Restaurants. Resorts. Pubs. Shops.

Expanding the dining room. Offering guests more. In the garden, in the courtyard, on the terrace, at the pool. Enjoy the day, the evening, the night in the shade of the sail.

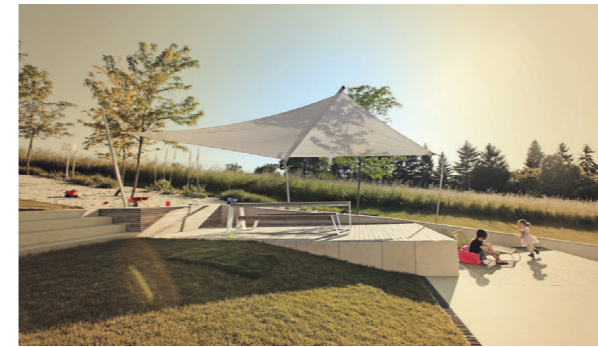
Make plans, chat, eat and drink. Time flies.



We meet outside. Visitors become the guests, feel at ease, stay.

Comply with the customer's wishes.

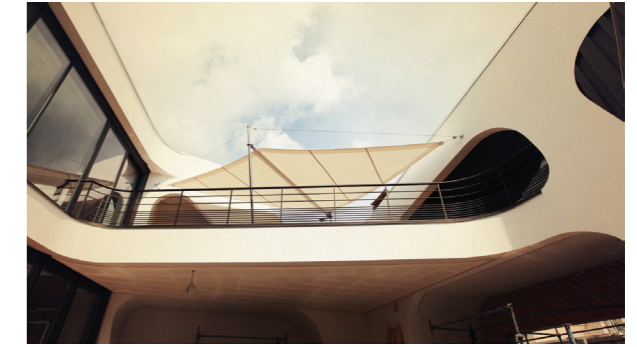
A sun sail must be able to speak the existing language.
Understanding between the existing structure and the
addition. Architecture wants to be seen and understood.



Structure and symmetry. Carry on what exists. Understand and expand.

Your Roof - Your Top Terrace

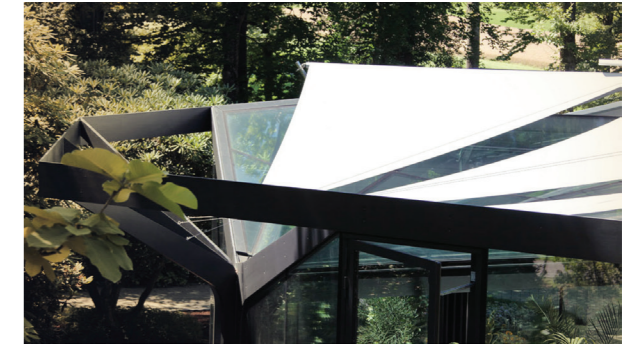
Like our Shade Sail System , Each roof or terrace is unique. Small and large sails, triangular, rectangular, wall and ground fastenings. All Sun Square solutions have something in common, always stable, regardless of size. At wind speeds over 40 km/h - The sail roll automatically. If the power fails, you have the emergency hand crank.



Sun and Wind. Over the rooves. Stability and safety.

The Sun Sail. Distinctive, variable. The original.

Stainless steel supports. Carbon cables. The triangular sail float. Giving shade, playing with light. Automatic, at the push of a button. Peak performance and lucent simplicity. SunSquare system integrate harmoniously in landmarked environments.



A modern classic. Light and shade. Harmony and dialogue.

Oases of shade. A livable city.

The Museum. The prelude to art.

The Kindergarten. Protection out in the open.

The Hospital. Breathe, gather energy. In the shade of sail.

Meeting every requirement. On the front of official buildings, classics, landmarks.



Shade for everyone. Design for all. In public urban spaces.

Form and function. Stability and power transmission. Meeting the torque.

NIROLINE®



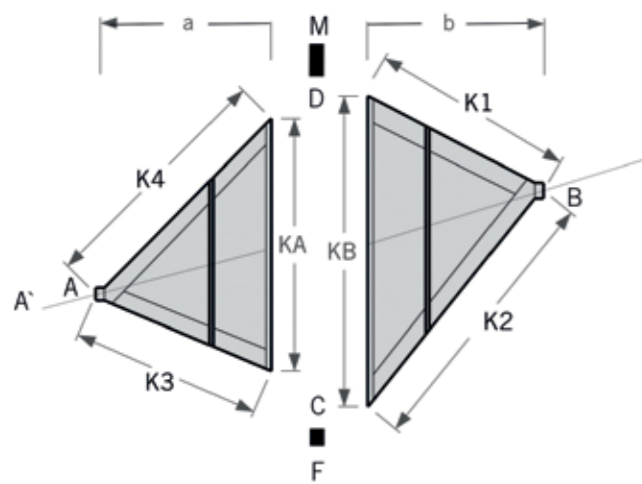
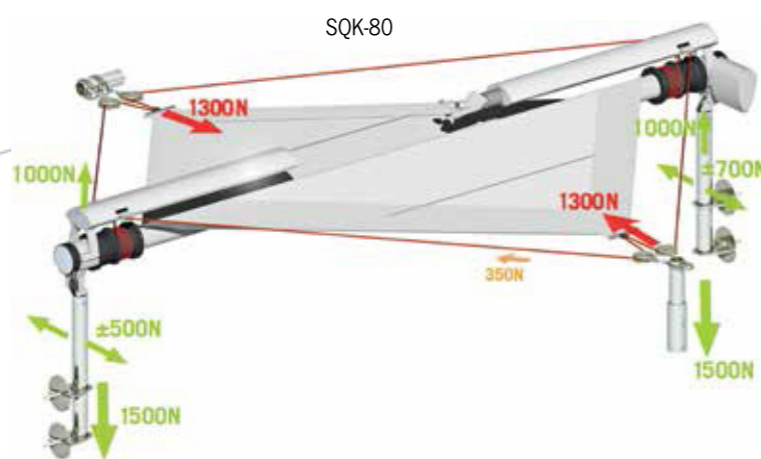
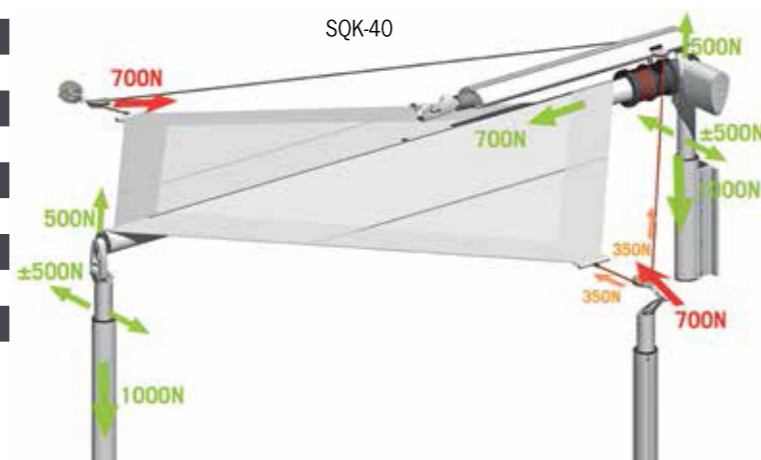
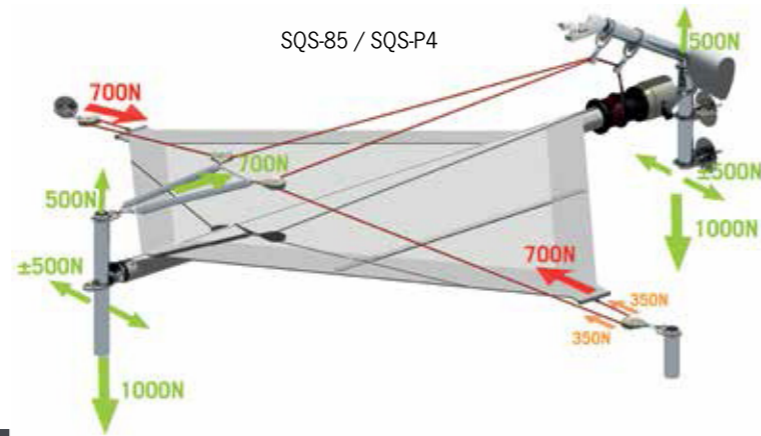
SOLID STAINLESS STEEL. GLASS BEAD BLASTED SURFACES.

NIROLINE® by SunSquare® guarantees power transmissions. WM 6010, WM2 6010, GPV 60, WK 6010, R 6060, GPV 60 T, WAX 8, WR 95, S 6010, etc. And should NIROLINE® for once not meet the requirements, a special solution will be found.

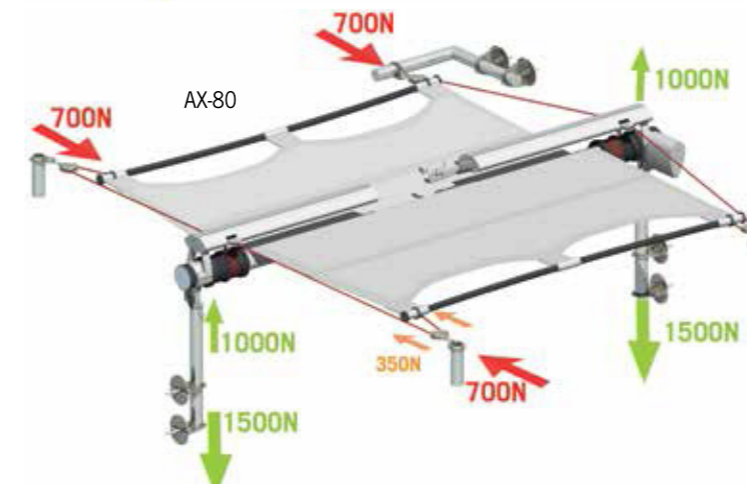
TRIANGULAR SAIL

Triangular sails can also be cut asymmetrically, whereby the edge lengths (K1:K2 or K3:K4) can differ by a ratio of up to 1:1.3. The tension of the canvas along the centroidal axis ensures uniform hanging of the sail edges (about 5% of edge length). Optimum rainwater drainage can be achieved at a sail incline of 15° or more. Existing wind forces permit a maximum wave incline of 45°.

	SQS-85	SQS-P4	SQK-40	SQK-80
K1:K2 (K2:K1)	1:1,3	1:1,3	1:1,3	1:1,3
K3:K4 (K4:K3)	1:1,3	1:1,3	1:1,3	1:1,3
K1, K2, K3, K4	7,5 m	8,5 m	8,5 m	9,0 m
KA, KB	9,3 m	12,9 m	12,9 m	12,9 m
MF	10,0 m	13,5 m	13,5 m	13,5 m
a,b	6,0 m	7,0 m	7,0 m	7,0 m
Δ=a-b	±0,5 m	±0,5 m	±0,5 m	±0,5 m
BB'	30 cm	30 cm	30 cm	30 cm
AA'	30 cm	30 cm	30 cm	30 cm
MD	50 cm	50 cm	40 cm	40 cm
FC	20 cm	20 cm	5 cm	40 cm
max. m²	50 m²	50 m²	50 m²	70 m²



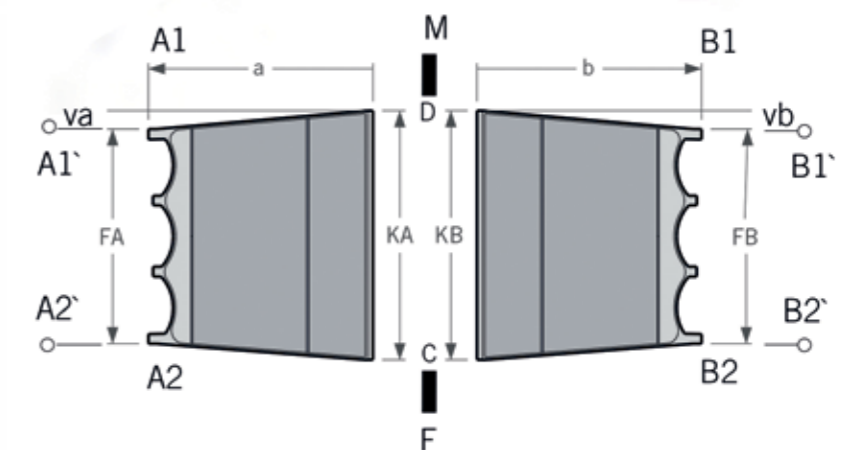
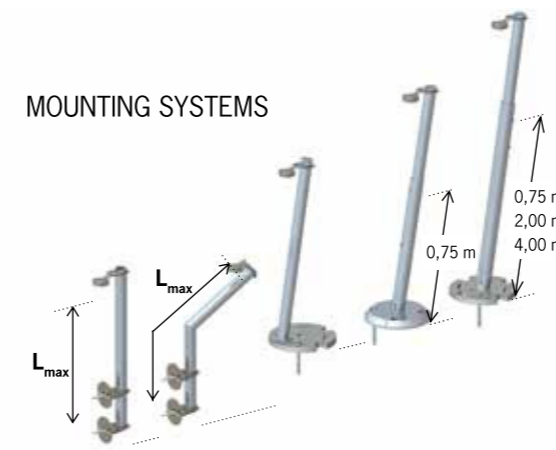
RECTANGULAR SAIL



AX-40 can be telescoped on one side, AX-80 on both sides, with a sail length of up to 7 m per side. A front rod with one traction rope each at the end points stretches the front sail edge. Canvas with UV protection, rain protection, fire retardant in different textures and colors.

	AX-40	AX-80	AX-CANT
FA, FB	max. 5,2 m	max. 5,2 m	max. 5,2 m
Kanten	min. 2°- 9°	min. 2°- 9°	min. 2°- 9°
va, vb	30 cm	30 cm	30 cm
KA, KB	5,8 m	5,8 m	5,0 m
MF	6,4 m	6,4 m	5,7 m
a,b	7,0 m	7,0 m	7,0 m
Δ=a-b		10 cm	10 cm
B1B1', B2B2'	30 cm	30 cm	30 cm
A1A1', A2A2'	30 cm	30 cm	30 cm
MD	40 cm	40 cm	70 cm
FC	5 cm	40 cm	5 cm
max. m²	38 m²	76 m²	40 m²

MOUNTING SYSTEMS



	L _{max} Wandstützen		L _{max} Bodenstützen		
Ø 33 mm	0,6 m	0,4 m	-	-	-
Ø 48 mm	1,3 m	1,2 m	3,5 m	-	-
Ø 60 mm	2,3 m	2,3 m	3,8 m	3,0 m	-
Ø 60 mm + Stahldorn	4,5 m	4,0 m	3,8 m	5,2 m	6,0 m

DRIVE TECHNOLOGY

The motor is located inside the shaft. The wind monitor triggers automatic roll-up at wind speeds of more than 40 km/h. The patented, self-contained, pre-stretched rope system uses springs to compensate for the wind forces that affect the system. This allows the sail to billow while maintaining the tension. The forces that apply to attachment points A' and B' remain constant at about 700N (70 kg). Visible functionality in the form of stainless steel springs for the classic rope pull system (SQS-85, SQS-P4). Invisible technology for SQK and AX: the compensator with interior pneumatic spring. Two rope pulls and two compensators each are used for sail areas > 50 m² (SQK-80, AX-80).

SunSquare® relies on its extensive portfolio of mounting systems made from stainless steel components or aluminum components. The supports are manufactured as floor supports or wall supports specifically for each situation and set of requirements.

 HEADQUARTERS

Velasolis Pty Ltd

Official SunSquare distributor in Australia

e: info@velasolis.com.au | w: velasolis.com.au

m: +61 430 844 130 | +61 424 381 677



VELASOLIS